



215 EAST ROOSEVELT AVE.
ZEELAND, MI 49464

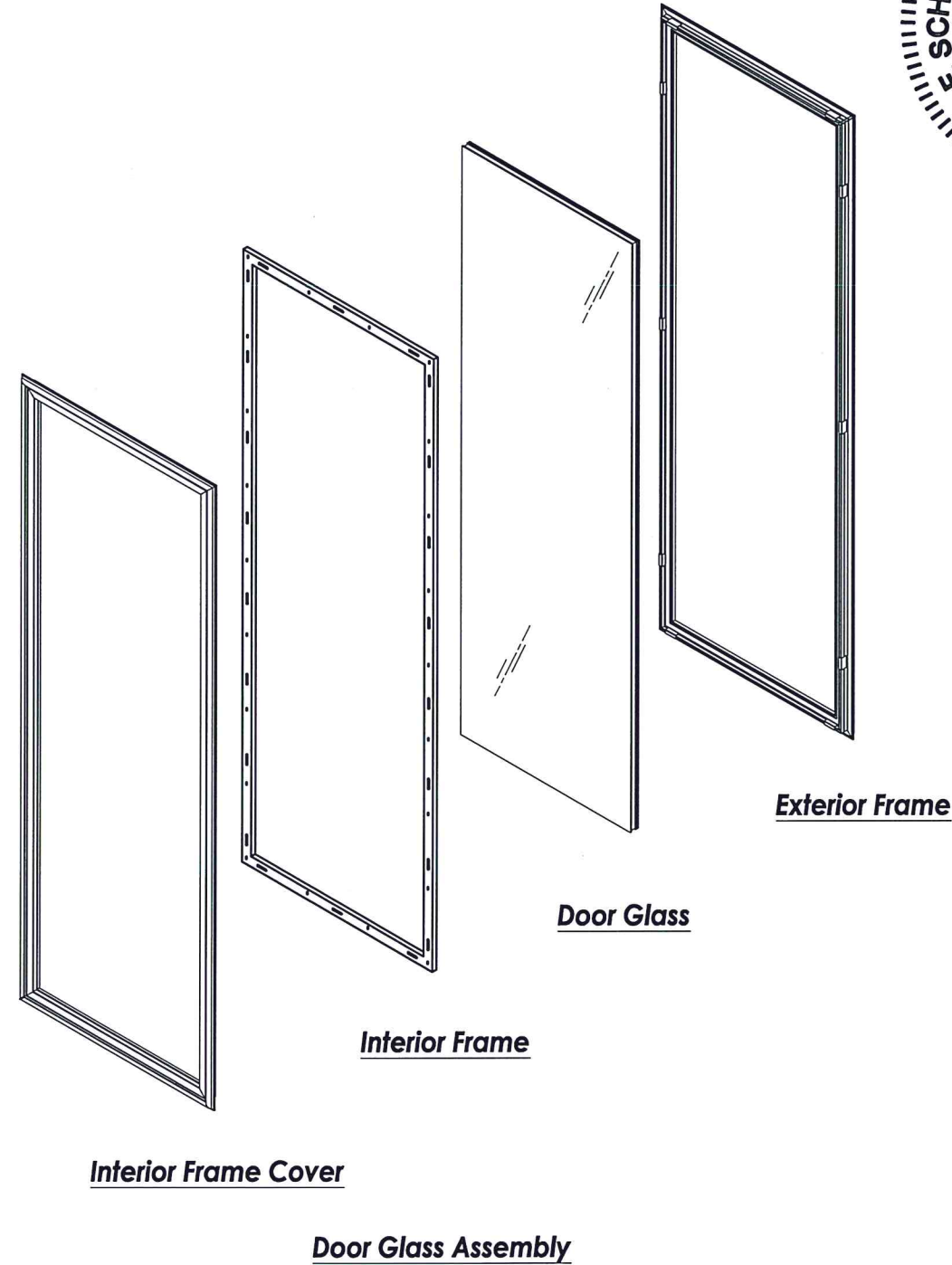
ODL / WESTERN REFLECTIONS

TriSys Frame System DOORGLASS ASSEMBLY FOR GLAZING UP TO A 3'0 x 8'0 SINGLE PANEL "NON-IMPACT"

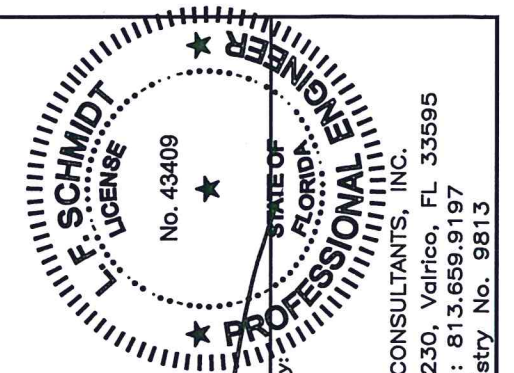
GENERAL NOTES

1. This product has been evaluated and is in compliance with the 7th Edition (2020) Florida Building Code (FBC) structural requirements excluding the High Velocity Hurricane Zone (HVHZ).
2. When used in areas requiring wind borne debris protection this product is required to be protected with an impact resistant covering that complies with FBC Sections 1609.1.2 & R301.2.1.2.
3. This product is approved for use as a substitute doorglass assembly in conjunction with a glazed steel or fiberglass side hinged swing door and/or fixed sidelite possessing a comparable current Florida Statewide product approval.
4. The design pressure (DP) rating shall be the lesser of the DP rating shown on sheet 1 of this approval or the DP rating shown in the glazed steel or fiberglass side hinged swing door or fixed sidelite approval being used.
5. The door panel and lite opening size shall not exceed the sizes shown in this approval or the glazed steel or fiberglass side hinged swing door or fixed sidelite approval being used.
6. This product has been tested in the door and/or sidelite panels as specified on sheets 3 & 4 of this approval. Substitution into a similar product may be approved for use by the local Authority Having Jurisdiction. In all cases, the glazed steel or fiberglass door and/or sidelite used must possess a comparable current Florida Statewide product approval.

TABLE OF CONTENTS	
SHEET#	DESCRIPTION
1	Typical elevations, design pressures and general notes
2	Cross sections, glazing details and bill of materials
3	Fiberglass door panels
4	Steel door panels



TRADITIONAL DESIGN PRESSURE RATING (PSF)		
GLAZING TYPE	POSITIVE	NEGATIVE
1" Insulated glass	+60.0	-60.0

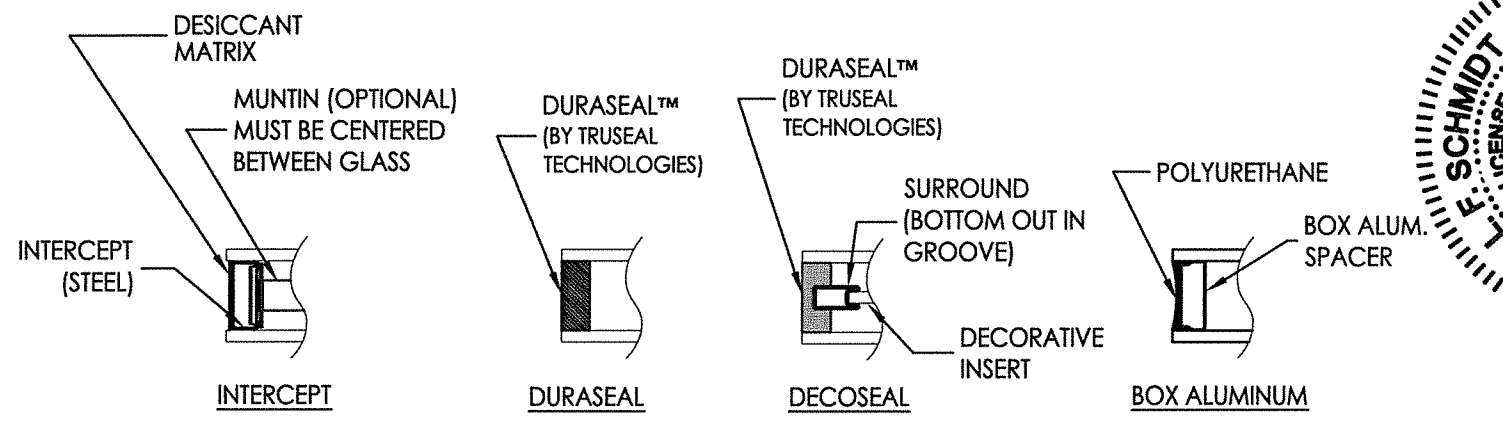


August 07, 2020
 Documents Prepared By:
 Lyndon F. Schmidt
 P.E. No. 43409
 R.W. BUILDING CONSULTANTS, INC.
 P.O. Box 230, Valrico, FL 33595
 Phone No.: 813.659.9197
 FBPE Registry No. 9813

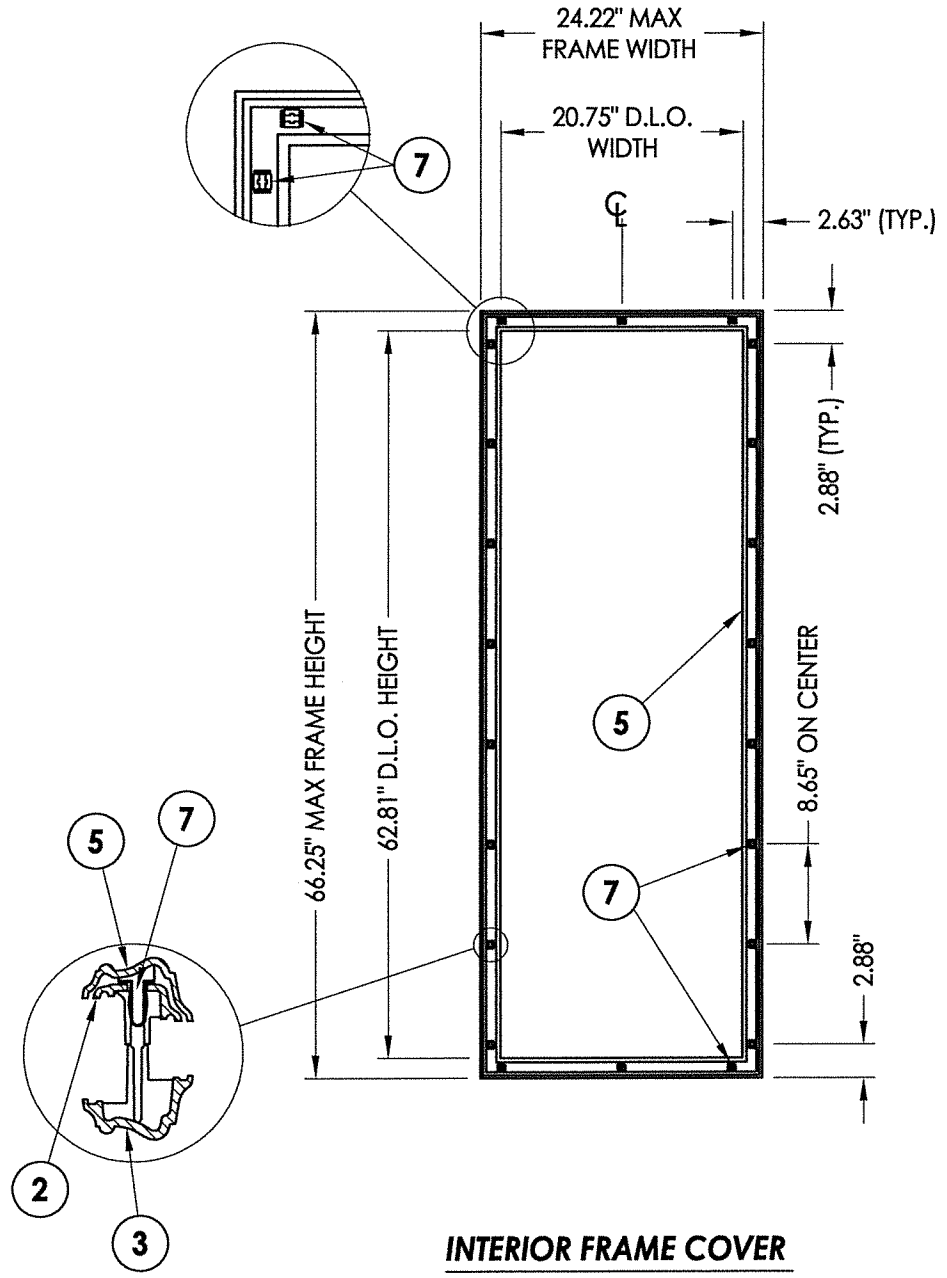
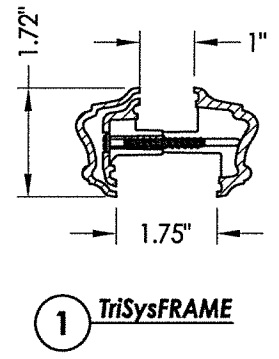
PRODUCT:		TriSys FRAME SYSTEM	
PART OR ASSEMBLY:		TYPICAL ELEVATIONS, DESIGN PRESSURES & GENERAL NOTES	
NO.	DATE	REVISIONS	BY
3	8/50/20	UPDATE TO 7TH ED. (2020) FBC	DAC
2	9/26/17	UPDATE TO 6TH ED. (2017) FBC	JK
1	3/28/15	UPDATE TO 5TH ED. (2014) FBC	JK
DATE: 2/29/12			
SCALE: N.T.S.			
DWG. BY: JK			
CHK. BY: LFS			
DRAWING NO.: FL-15260.1			
SHEET 1 OF 4			

\\dc01\rbwbc\Clients\ODL, Inc. PERMANENT\A - Florida Product Approvals\FL-15260 Exterior Door Components - Lite Frame Inserts\C - Drawings\FL-15260 (2020) R9\FL-15260.1-2.dwg

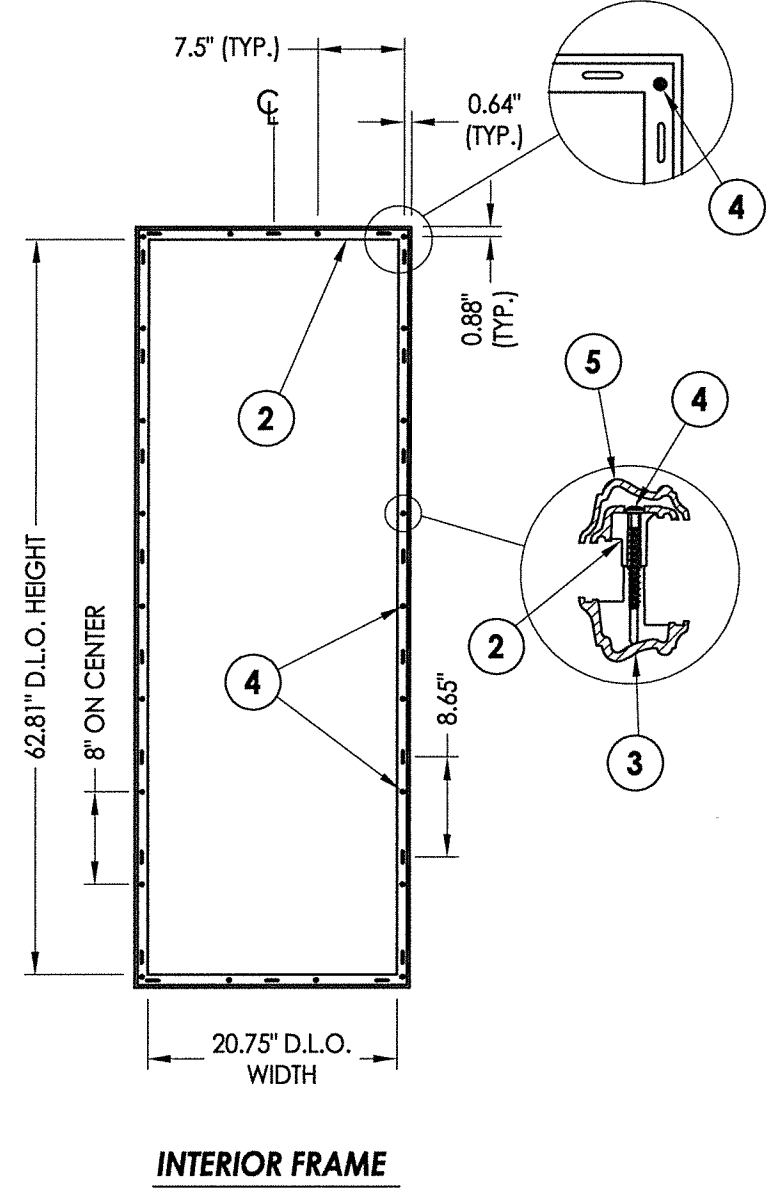
BILL OF MATERIALS		
ITEM #	DESCRIPTION	MATERIAL
1	TriSys FRAME SYSTEM	-
2	INT. FRAME (HP POLYPROPYLENE)	-
3	EXT. FRAME ("FIBERMATE" PC ABS)	-
4	#7-19 X 1-3/4" PPH SELF DRILLING SMS	STEEL
5	FRAME COVER (ABS)	-
7	FRAME CLIP	STEEL
8	FIPG (Foam-In-Place-Gasket)	POLYURETHANE



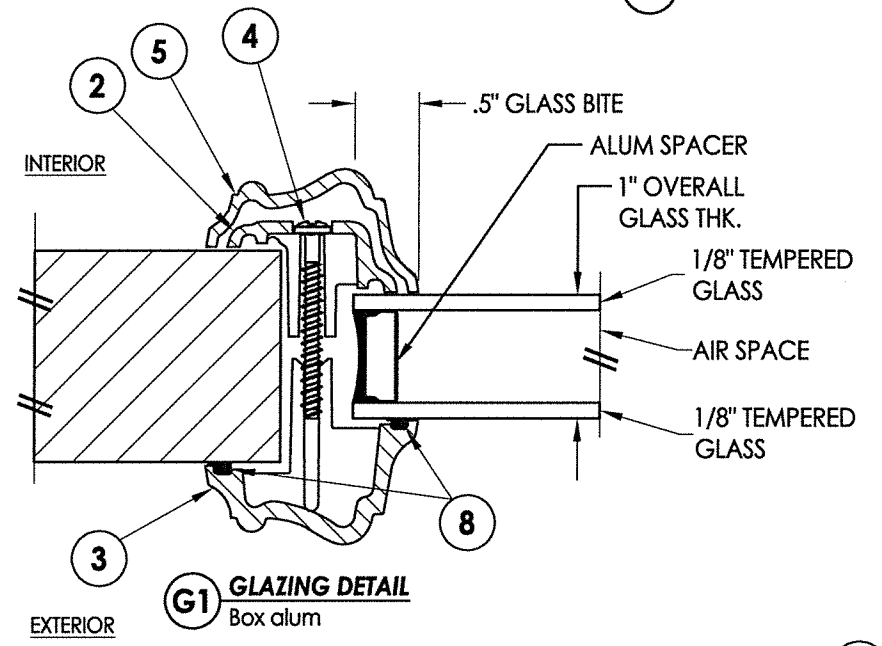
OPTIONAL GLAZING SPACER DETAILS



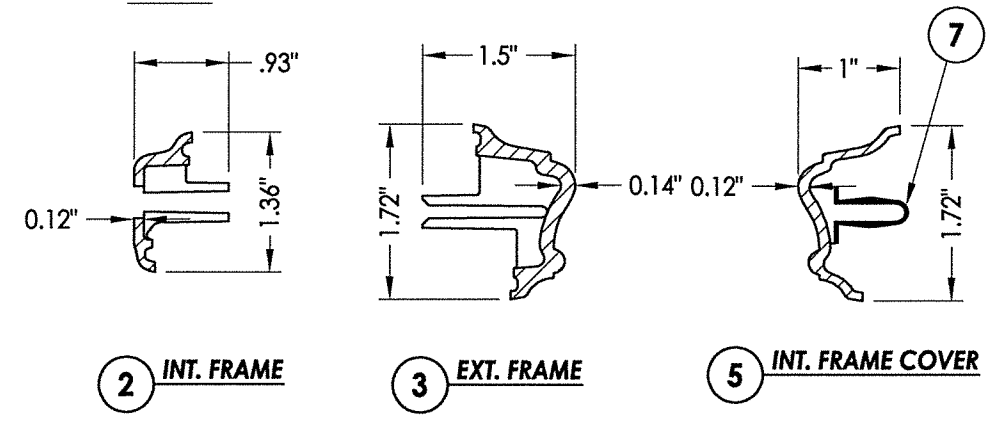
INTERIOR FRAME COVER



INTERIOR FRAME



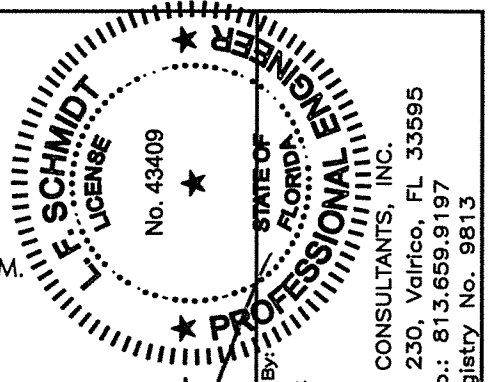
G1 GLAZING DETAIL
Box alum



2 INT. FRAME

3 EXT. FRAME

5 INT. FRAME COVER



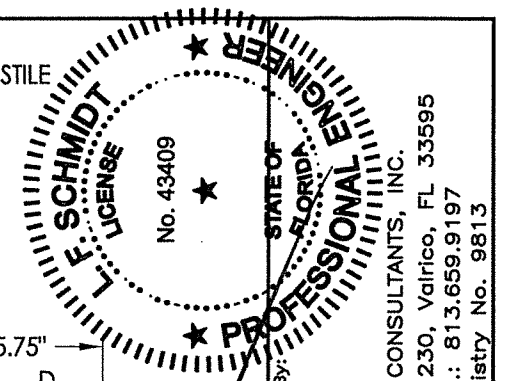
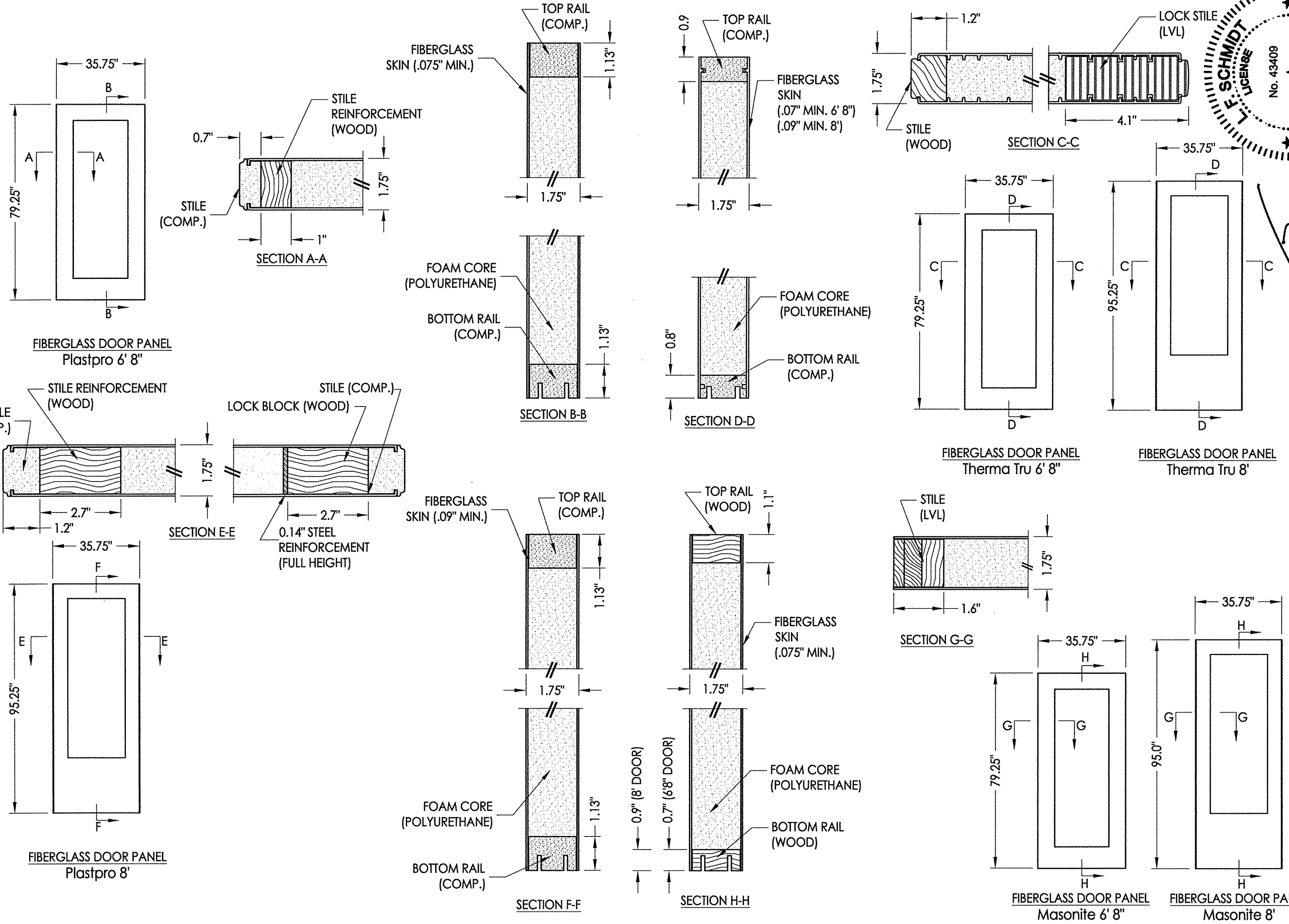
August 07, 2020

Documents Prepared By:
Lyndon F. Schmidt
P.E. No. 43409

R.W. BUILDING CONSULTANTS, INC.
P.O. Box 230, Valrico, FL 33595
Phone No.: 813.659.9197
FBPE Registry No. 9813

PRODUCT:		TriSys FRAME SYSTEM	
PART OR ASSEMBLY:		CROSS SECTIONS, GLAZING DETAILS & BILL OF MATERIALS	
NO.	DATE	BY	REVISIONS
3	8/50/20	DAC	UPDATE TO 7TH ED. (2020) FBC
2	9/26/17	JK	UPDATE TO 6TH ED. (2017) FBC
1	3/28/15	JK	UPDATE TO 5TH ED. (2014) FBC

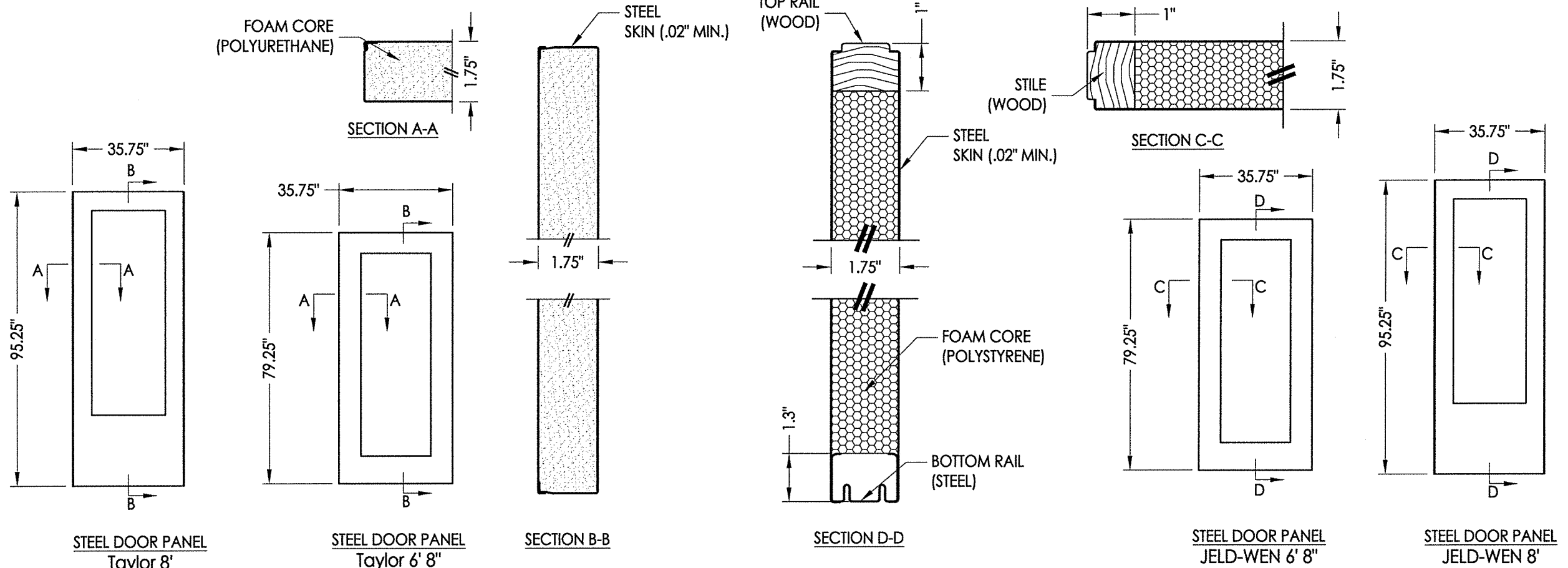
DATE: 2/29/12
SCALE: N.T.S.
DWG. BY: JK
CHK. BY: LFS
DRAWING NO.: FL-15260.1
SHEET 2 OF 4



August 07, 2020
 Documents Prepared By:
 Lyndon F. Schmidt
 P.E. No. 43409

RW
 BUILDING CONSULTANTS, INC.
 P.O. Box 230, Valrico, FL 33595
 Phone No.: 813.659.9197
 FBPE Registry No. 9813

PRODUCT:		TriSys FRAME SYSTEM	
PART OR ASSEMBLY:		FIBERGLASS DOOR PANELS	
NO.	DATE	BY	REVISIONS
3	8/50/20	DAC	UPDATE TO 7TH ED. (2020) FBC
2	9/26/17	JK	UPDATE TO 6TH ED. (2017) FBC
1	3/28/15	JK	UPDATE TO 5TH ED. (2014) FBC
DATE: 2/29/12			
SCALE: N.T.S.			
DWG. BY: JK			
CHK. BY: LFS			
DRAWING NO.: FL-15260.1			
SHEET 3 OF 4			



STEEL DOOR PANEL
Taylor 8'

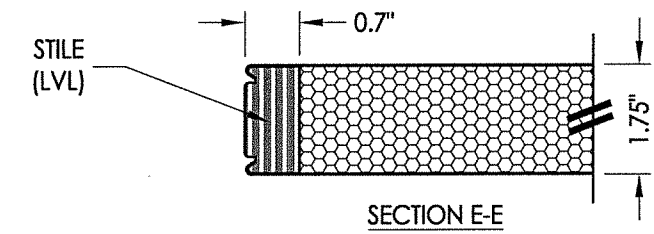
STEEL DOOR PANEL
Taylor 6' 8"

SECTION B-B

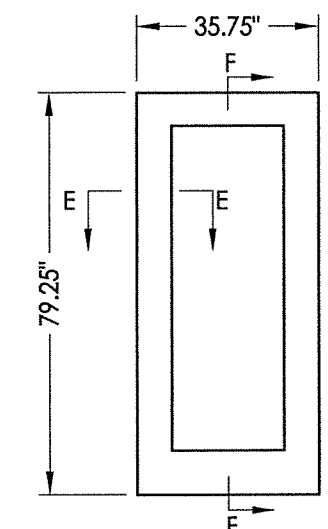
SECTION D-D

STEEL DOOR PANEL
JELD-WEN 6' 8"

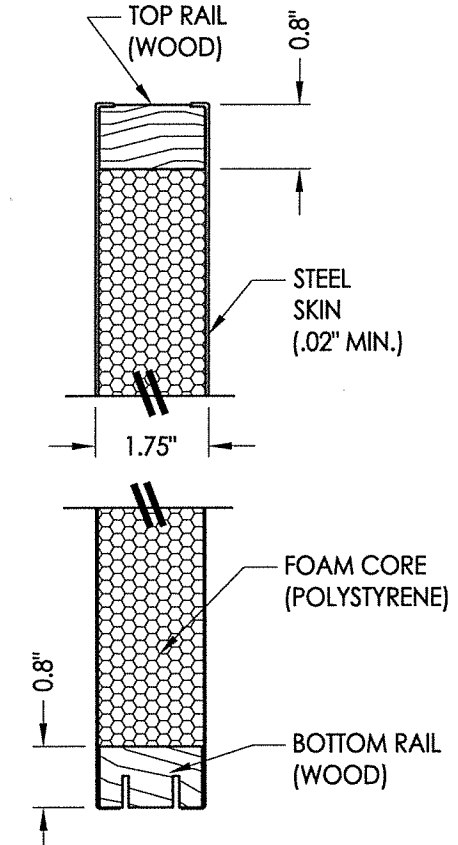
STEEL DOOR PANEL
JELD-WEN 8'



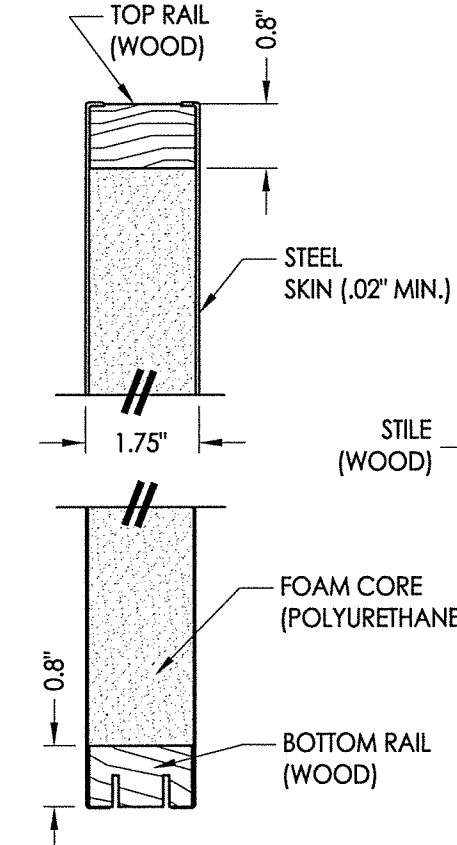
SECTION E-E



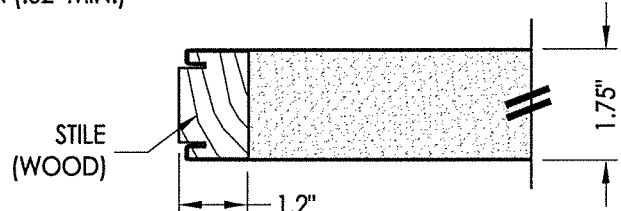
STEEL DOOR PANEL
Masonite 6' 8"



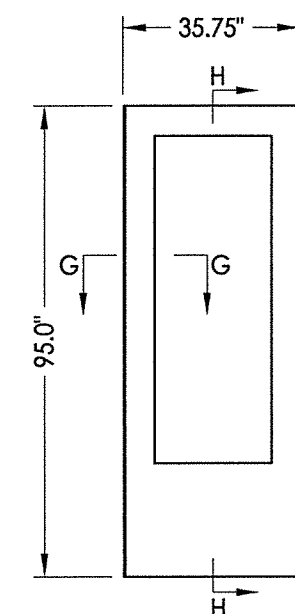
SECTION F-F



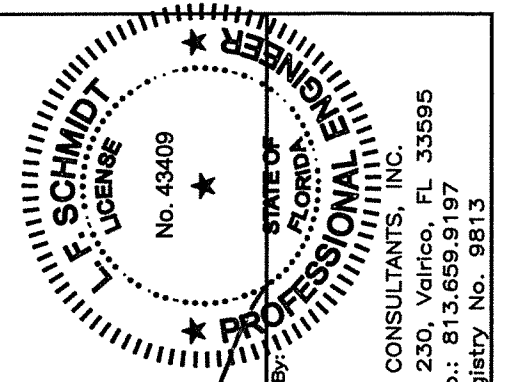
SECTION H-H



SECTION G-G



STEEL DOOR PANEL
Masonite 8'



August 07, 2020
 Documents Prepared By:
 Lyndon F. Schmidt
 P.E. No. 43409

PRODUCT:
 TriSys FRAME SYSTEM
 PART OR ASSEMBLY:
 STEEL DOOR PANELS

NO.	DATE	BY
3	8/50/20	DAC
2	9/26/17	JK
1	3/28/15	JK

DATE: 2/29/12
 SCALE: N.T.S.
 DWG. BY: JK
 CHK. BY: LFS
 DRAWING NO.: FL-15260.1
 SHEET 4 OF 4